

GXLA-HHA Recessed Pull

Features

- Two length options available: 300 mm and 600 mm
- Can be cut into desired length to suit application
- Beautiful design based on lines and faces
- Other sizes also available on request

Notes

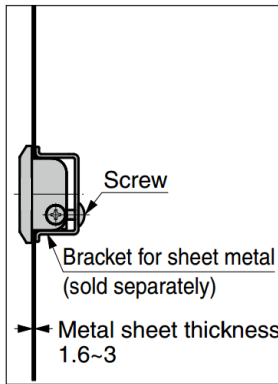
- For lateral use, check if the door is strong enough before use
- Use 4 brackets (**GXLA-HHA40B**, sold separately) for one pull

Parts Included

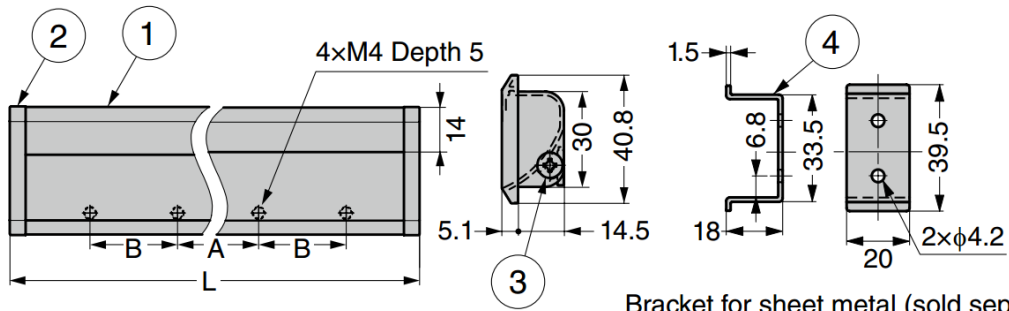
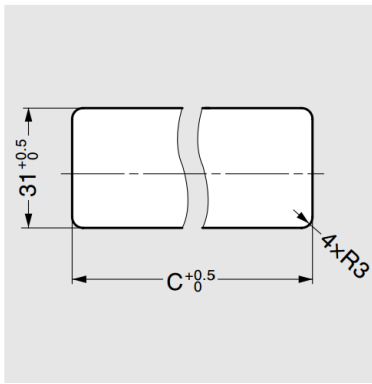
- Truss head screw M4×10 (SUS)



Installation



Cut Out Dimensions



Bracket for sheet metal (sold separately)

No.	Part Name	Material	Finish
①	Body	Aluminium Alloy	Silver Anodised
②	Cover	Zinc Alloy (ZDC)	Chrome
③	Countersunk Head Screw M4 x 10	Stainless Steel	-
④	Bracket for Sheet Metal (Sold Separately)	Stainless Steel (SUS430)	Barrel Polished

Body

Part No.	L	A	B	C
GXLA-HHA300	300	100	50	297
GXLA-HHA600	600	200	150	597

Bracket (Sold Separately)

Part No.
GXLA-HHA40B